
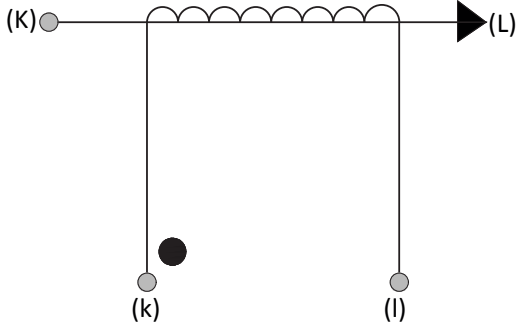


Product Type	Current Transformer	
Amgis Part Number	CP-2000	

SCHEMATIC:

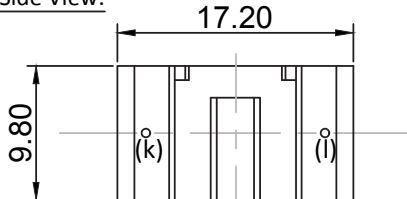


ELECTRICAL SPECIFICATION:

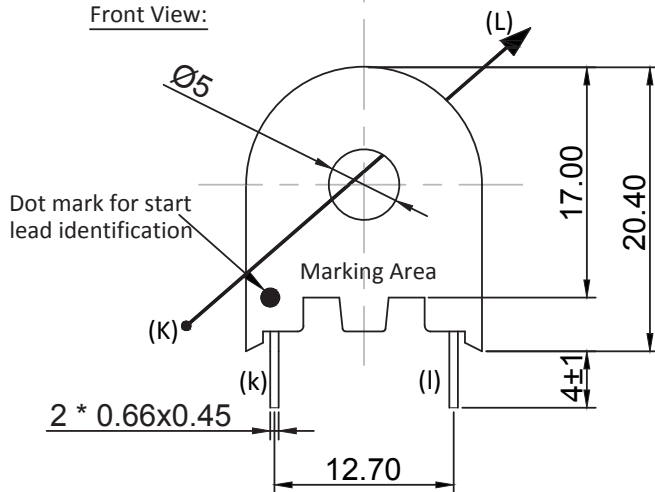
Rated input current	= 15Amps
Maximum input Current	= 25A
Primary to Secondary Isolation	= 2500VAC
Operating Frequency	= 50 / 60 Hz
Turns Ratio	= 1 : 2000
DC Resistance	= 235 Ω max
Operating Temperature	= -40°C to +85°C
Ambient Temperature	= 60ta
Output Voltage	= 0.15V \pm 0.2% (typ) @ 15A / 20 Ω

MECHANICAL SPECIFICATION:

Pin Side View:



Front View:



All dimensions are in mm
Linear dimensional tolerance \pm 0.2mm

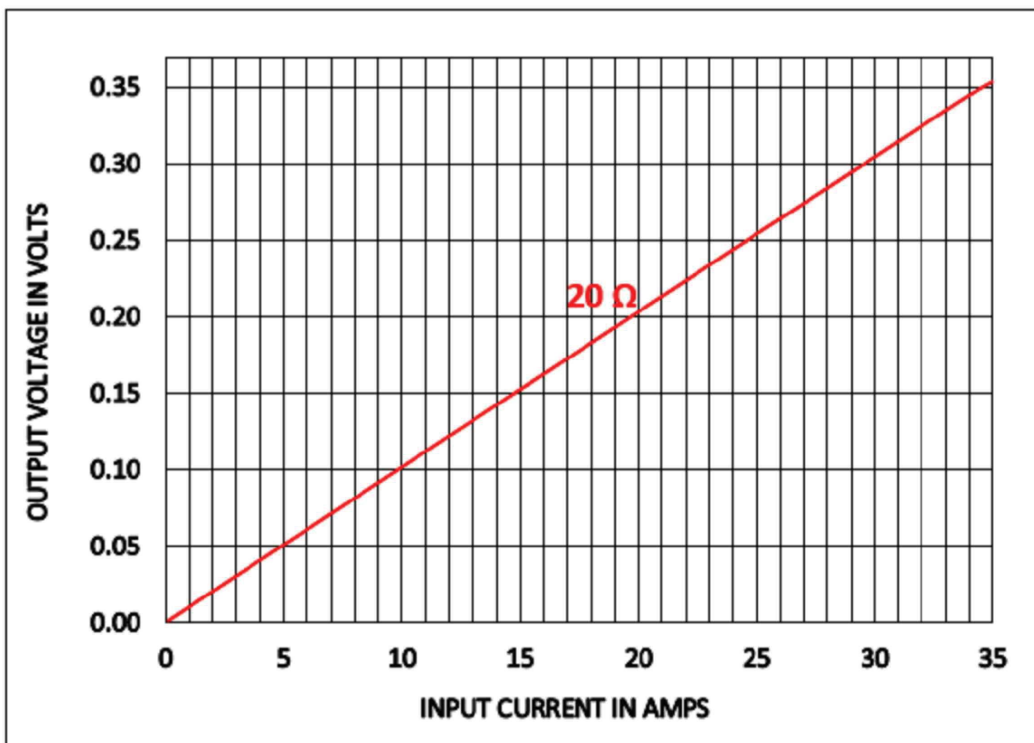
MARKING INFORMATION:

AMGIS
CP-2000 ww/yy code

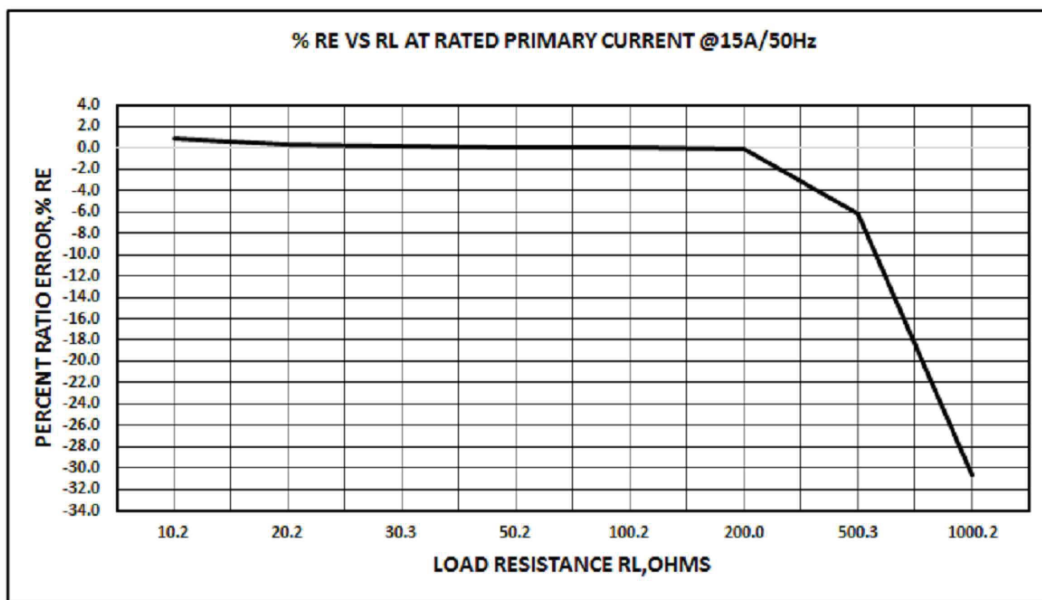
TRAF0 WEIGHT:

Approx. Weight = 0.008 kg / pc

OUTPUT RESPONSE vs INPUT CURRENT @ RATED BURDEN:



RATIO ERROR vs INPUT CURRENT @ RATED BURDEN:



-----Initial Issue-----	1	000	Perumal.M	J. Castro	07-02-2018
Changes	Issue	Rev	Prepared	Reviewed	Date